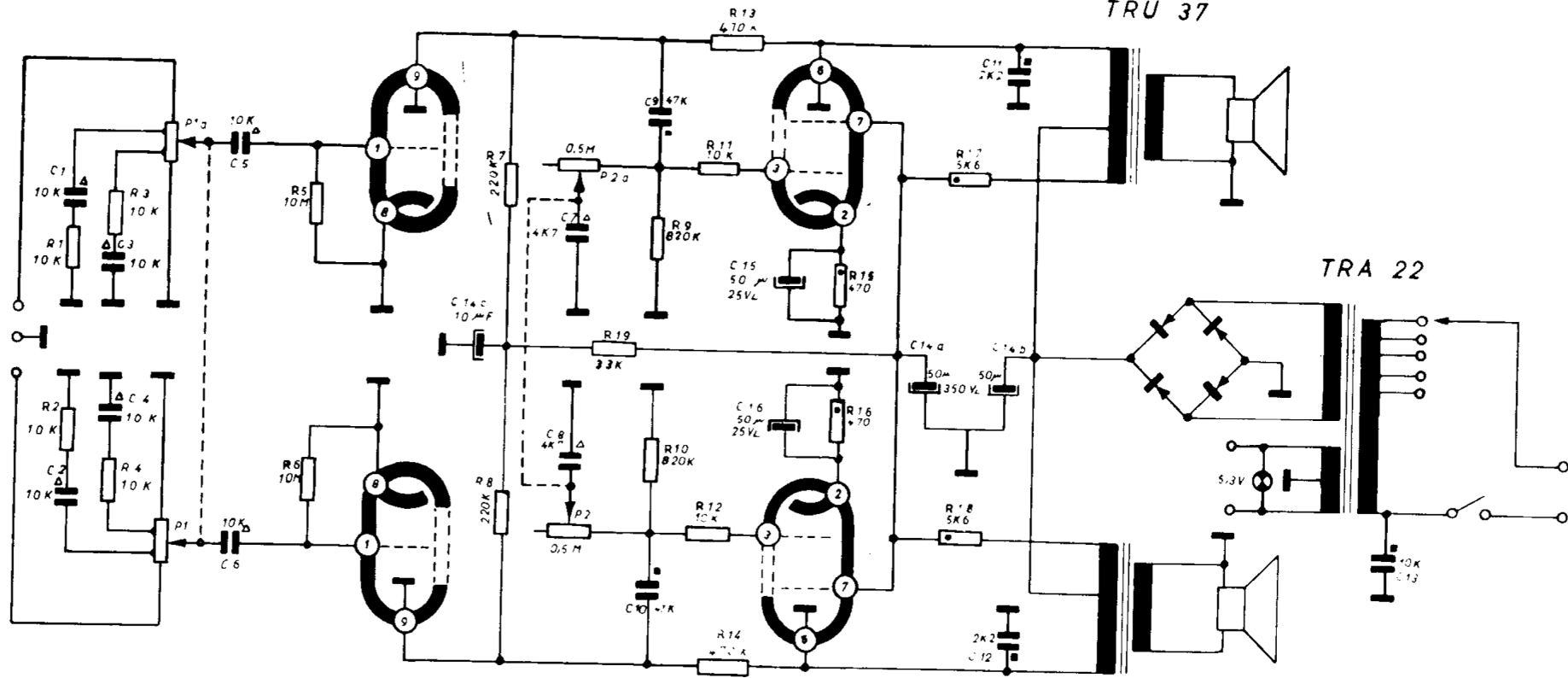


ECL 82

TRU 37



ECL 82

TRU 37

RESISTENZE	CONDENSATORI
1/2 W.	STIROFLEX 125 V.
1 W.	Carta 250 V.
	Carta 400 V.
	Carta 600 V.

**VEGA**

MOD.  
FP 1010